

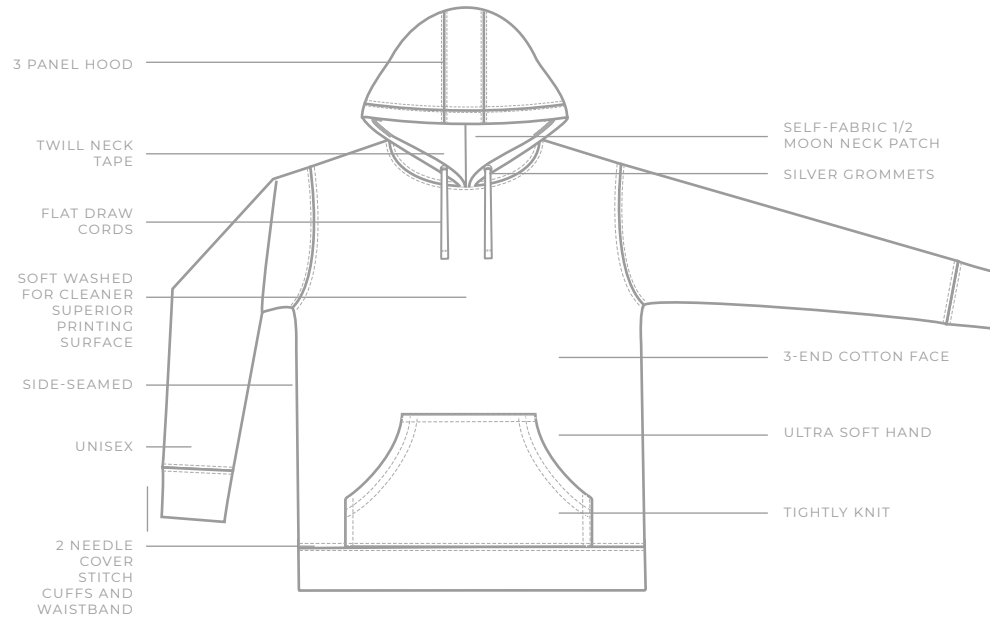
# COTTON HERITAGE

# PRODUCT SPECIFICATIONS

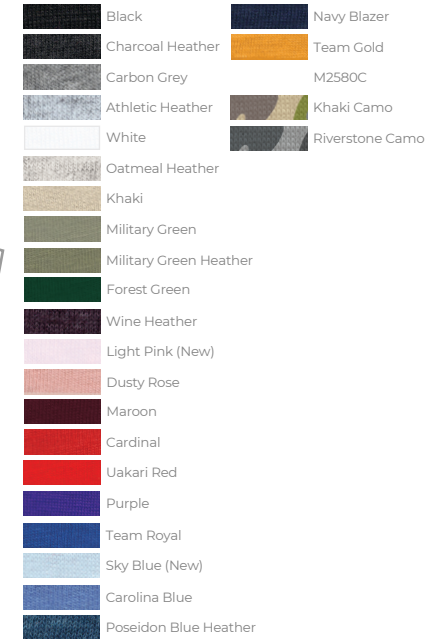
STYLE: M2580

CATEGORY: FLEECE

NAME: PREMIUM PULLOVER HOODIE



## AVAILABLE COLORWAYS



### FABRIC

- 8.5 oz.
- 100% cotton-faced exterior
- 65/35 cotton/polyester blend
- Heathers 60/40 cotton/polyester
- Oatmeal Heather 99/1 cotton/polyester

Detail	XS	S	M	L	XL	2XL	3XL	4XL	5XL	6XL
Chest Width	19	20	21	23	25	26.5	28	29.5		
Body Length	26	27	28	29	30	31	32	33		
Sleeve Length	23.5	23.5	24	24	24	24	24	24		
Printable Area Chest Height	11.5	13	13.5	14	14.5	15	15.5	16		
Printable Area Sleeve Width (5 inches from Cuff Edge)	5.25	5.5	5.75	6	6.5	6.625	7	7.5		

tear  
away  
label

